


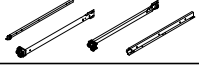


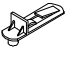
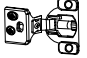


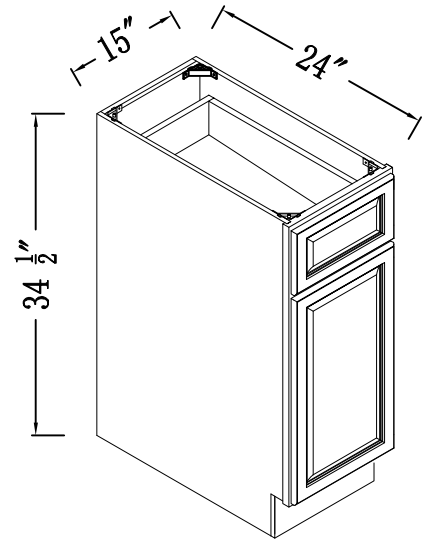


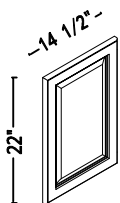
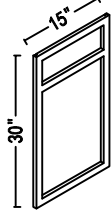
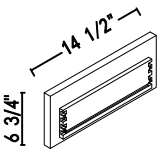
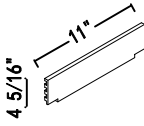
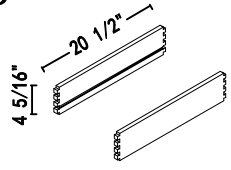
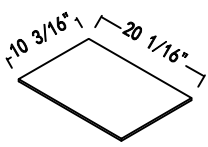
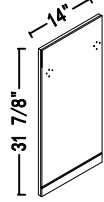
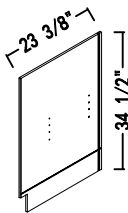
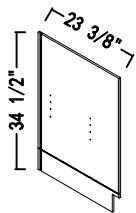
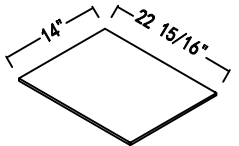
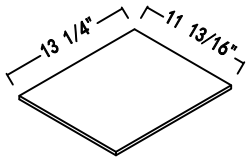
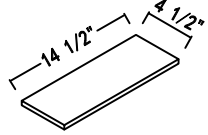
# PART LIST

NO.	Picture	Specification	Qty
A		Screws $\text{Ø}3 \times 1/2$ "	56
B		Screws $\text{Ø}4 \times 5/8$ "	12
C		Screws $\text{Ø}4 \times 1$ "	2
D		Drawer Glides	1
E		Corner Brackets	4
F		Metal Clip	12
G		Shelf Clips	4
H		Hinges	2
I		Screws $\text{Ø}4 \times 3/4$ "	2
J		Screws $\text{Ø}4 \times 5/8$ "	4













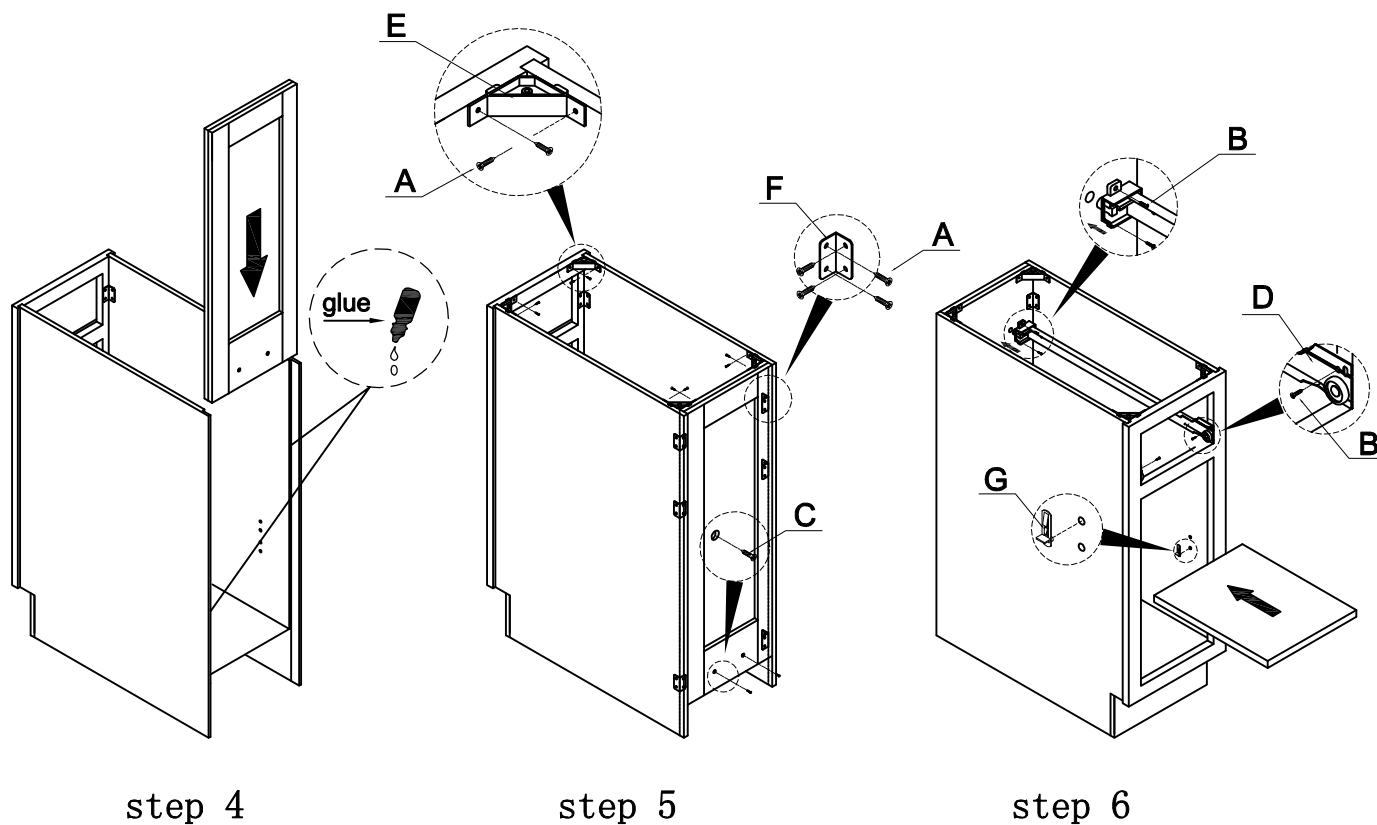
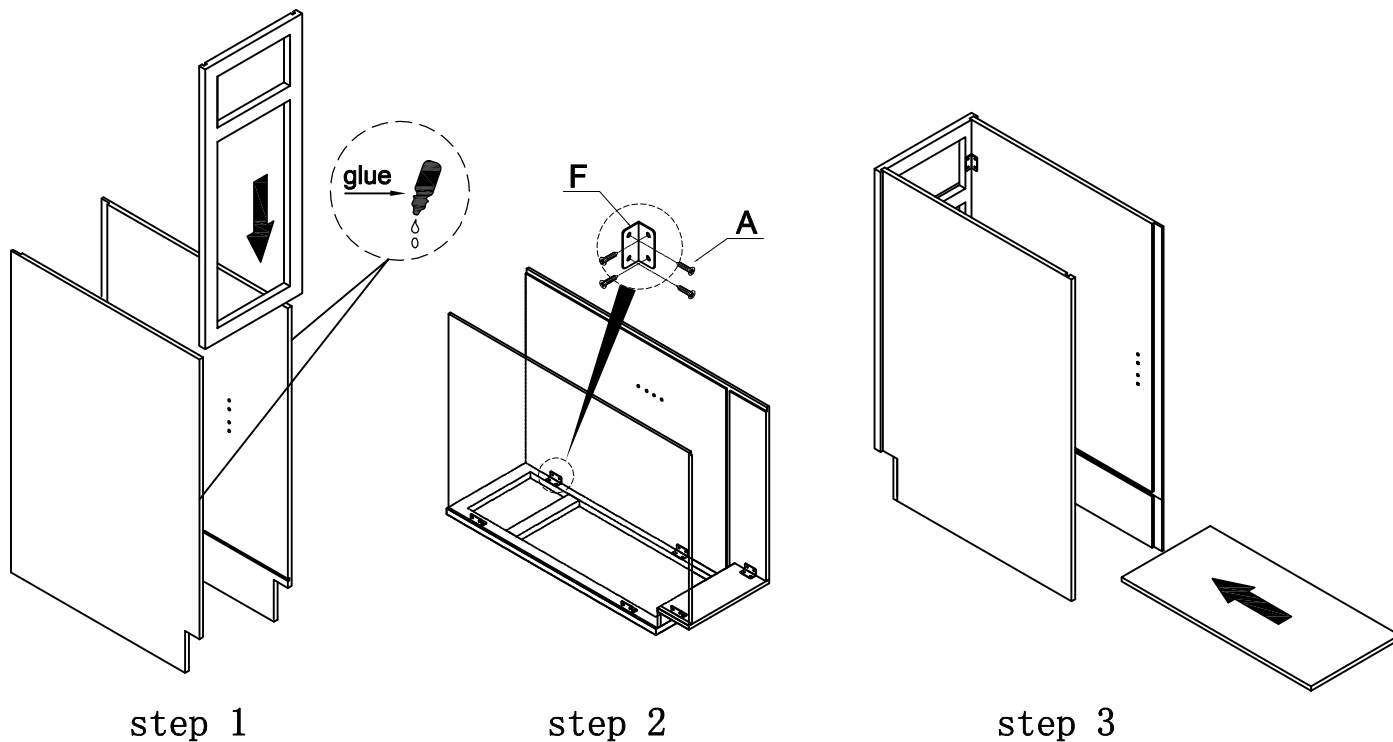
B15

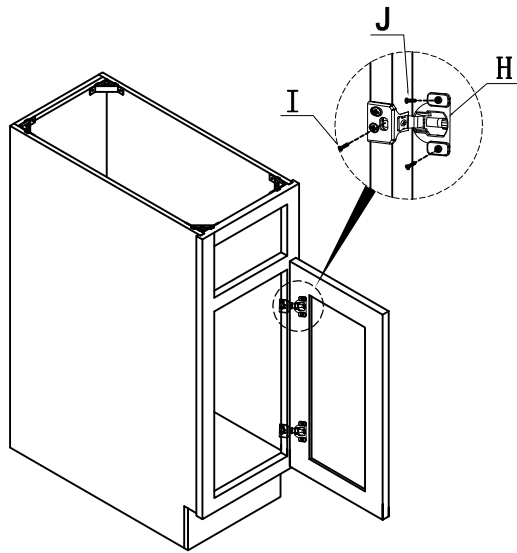
Unit: inch

<p>1</p>  <p>Door</p>	<p>2</p>  <p>Face frame</p>	<p>3</p>  <p>Drawer face</p>	<p>4</p>  <p>Drawer back</p>	<p>5</p>  <p>Drawer Side</p>
<p>6</p>  <p>Drawer bottom</p>	<p>7</p>  <p>Back board</p>	<p>8</p>  <p>Left Side Panel</p>	<p>9</p>  <p>Right Side Panel</p>	<p>10</p>  <p>Bottom</p>
<p>15</p>  <p>Shelf</p>	<p>16</p>  <p>Face TK</p>			

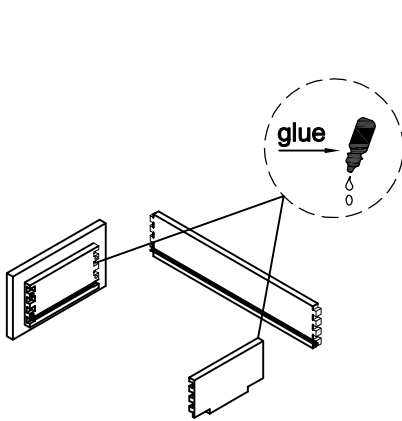
# Assembly instructions

NO.	PICTURE	SIZE	QTY	NO.	PICTURE	SIZE	QTY
A		Screws $\text{Ø}3 \times 1/2''$	56	F		Metal Clip	12
B		Screws $\text{Ø}4 \times 5/8''$	12	G		Shelf Clip	4
C		Screws $\text{Ø}4 \times 1''$	2	H		Hinges	2
D		Drawer Glides	1	I		Screws $\text{Ø}4 \times 3/4''$	2
E		Corner Brackets	4	J		Screws $\text{Ø}4 \times 5/8''$	4

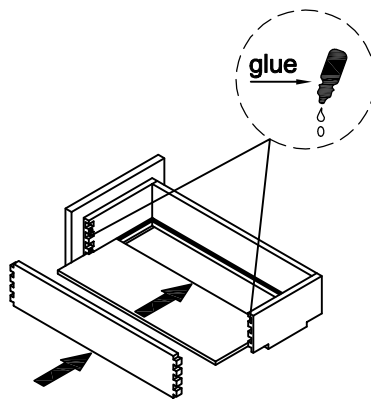




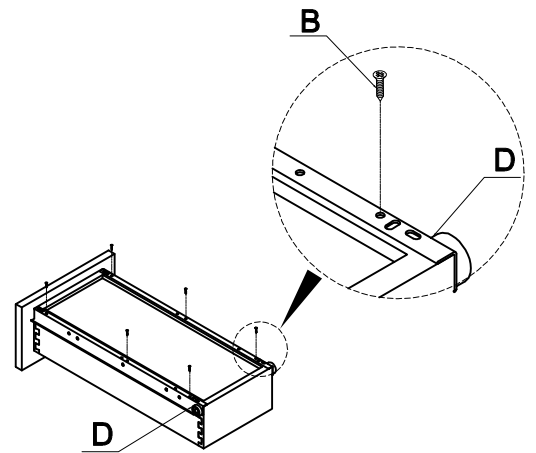
step 7



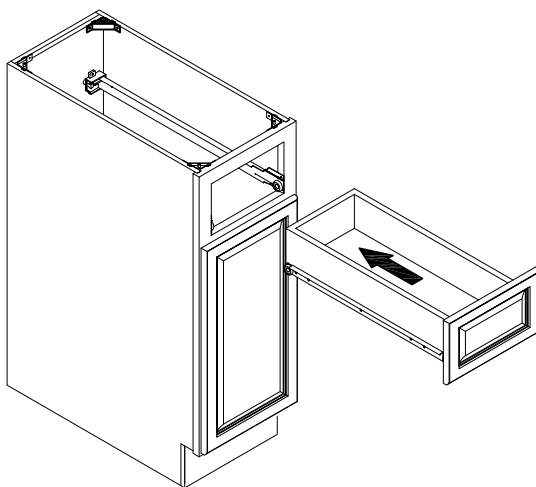
step 8



step 9



step 10



step 11

