


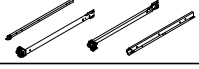


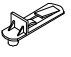
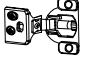


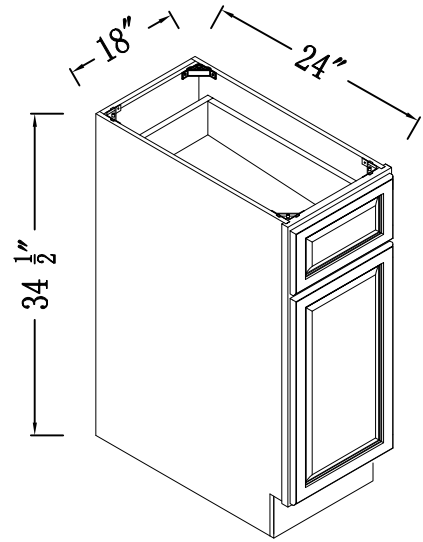


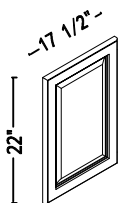
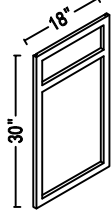
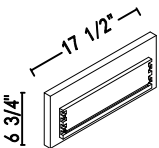
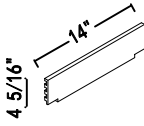
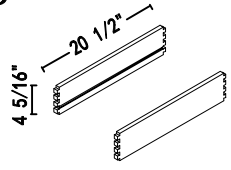
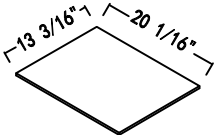
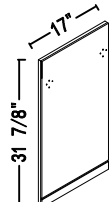
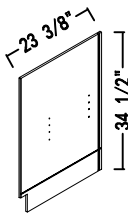
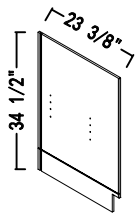
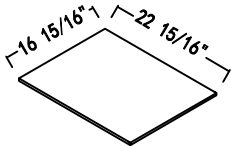
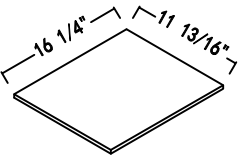
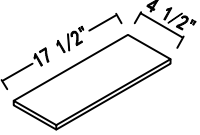
# PART LIST

NO.	Picture	Specification	Qty
A		Screws $\text{Ø}3 \times 1/2$ "	56
B		Screws $\text{Ø}4 \times 5/8$ "	12
C		Screws $\text{Ø}4 \times 1$ "	2
D		Drawer Glides	1
E		Corner Brackets	4
F		Metal Clip	12
G		Shelf Clips	4
H		Hinges	2
I		Screws $\text{Ø}4 \times 3/4$ "	2
J		Screws $\text{Ø}4 \times 5/8$ "	4













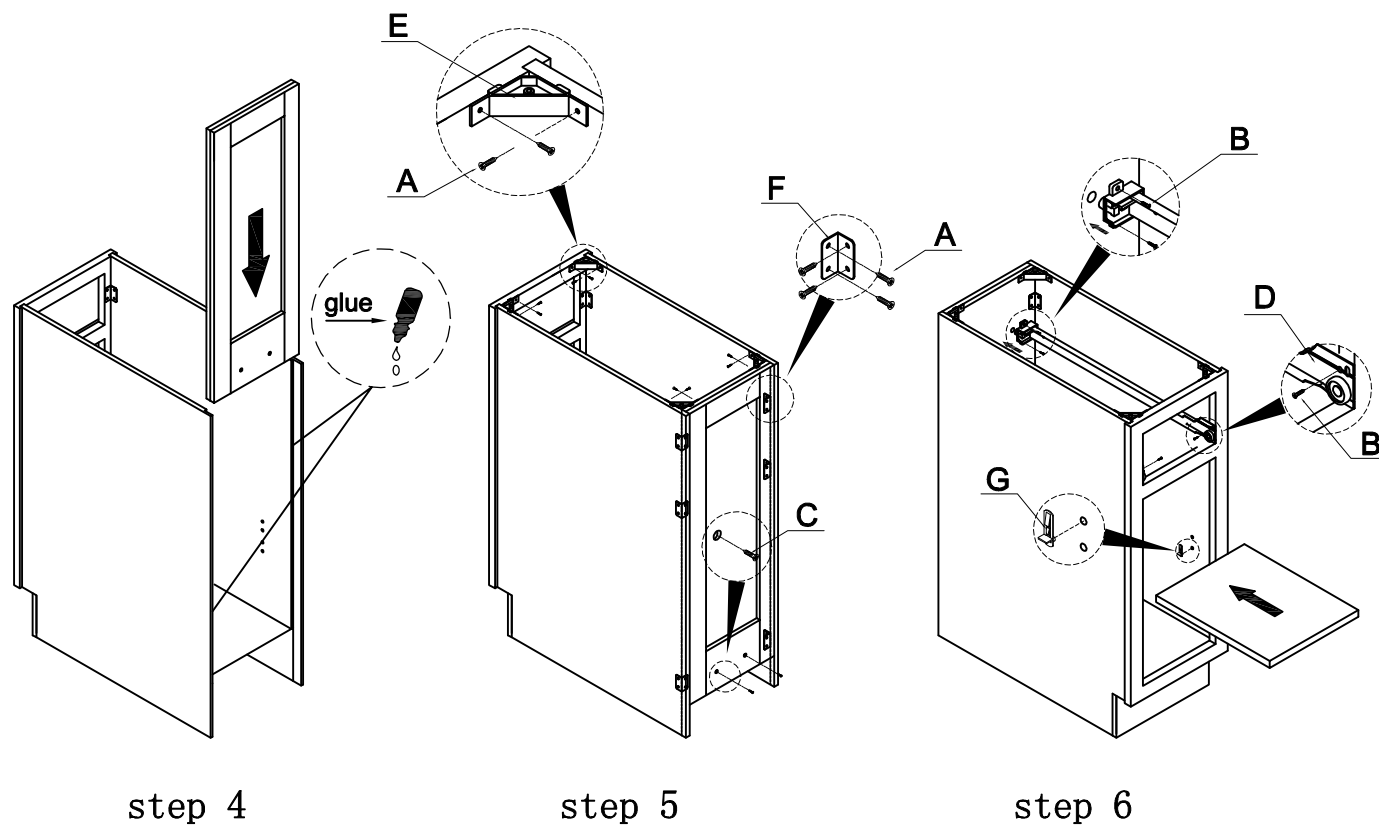
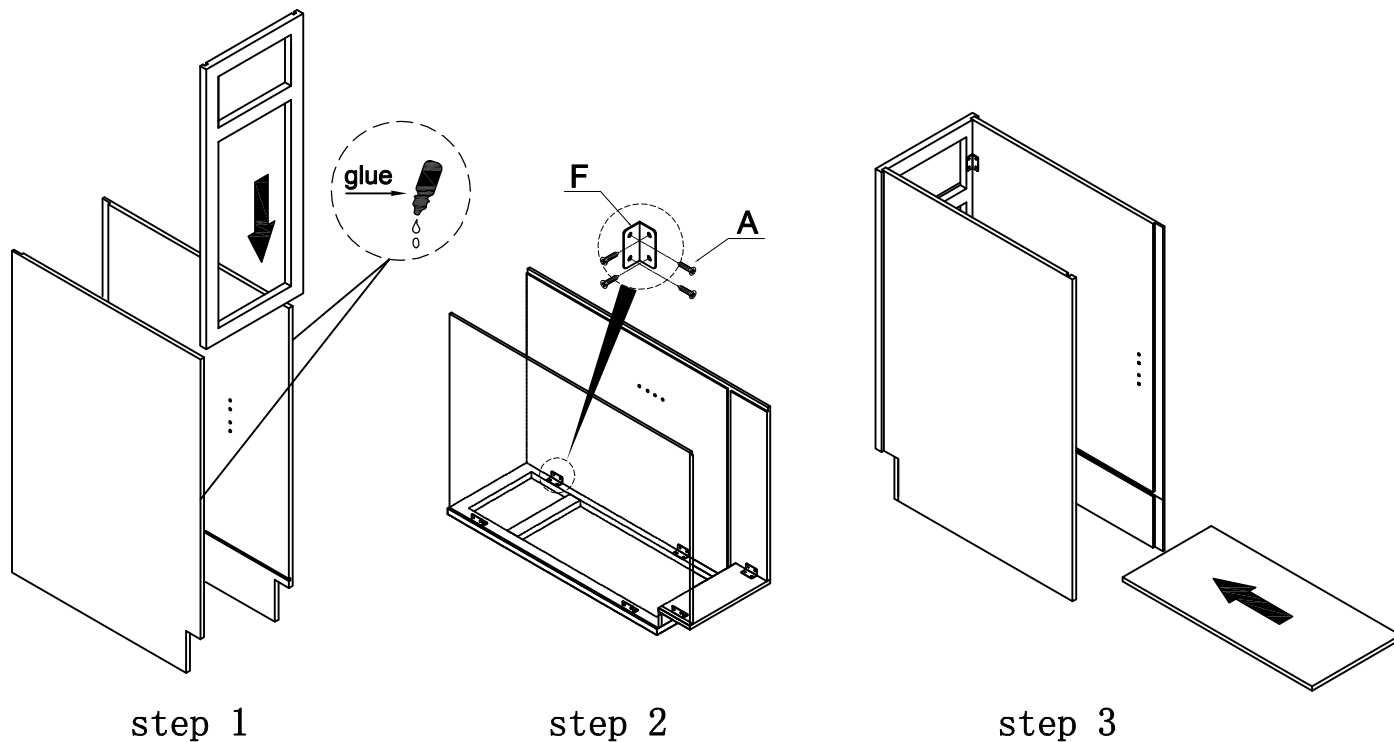
B18

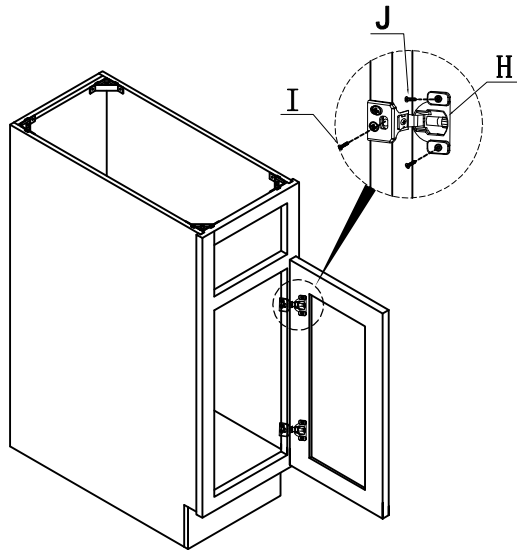
Unit: inch

1  22" 17 1/2"	2  16" 30"	3  17 1/2" 6 3/4"	4  14" 4 5/16"	5  20 1/2" 4 5/16"
Door	Face frame	Drawer face	Drawer back	Drawer Side
6  13 3/16" 20 1/16"	7  17" 31 7/8"	8  23 3/8" 34 1/2"	9  23 3/8" 34 1/2"	10  16 15/16" 22 15/16"
Drawer bottom	Back board	Left Side Panel	Right Side Panel	Bottom
15  16 1/4" 11 13/16"	16  17 1/2" 4 1/2"			
Shelf	Face TK			

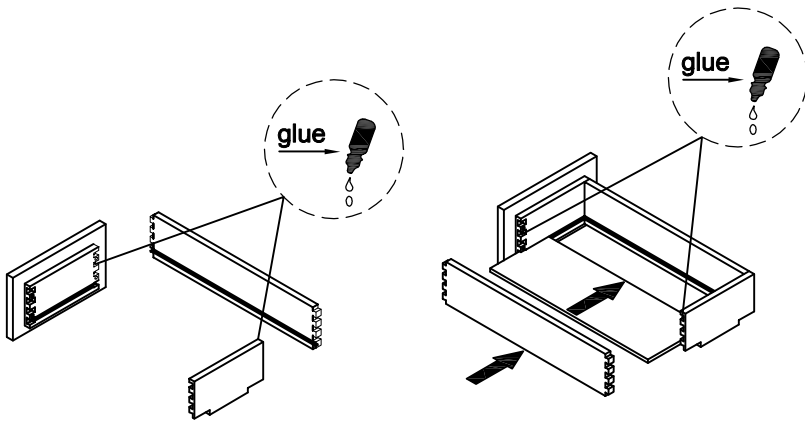
# Assembly instructions

NO.	PICTURE	SIZE	QTY	NO.	PICTURE	SIZE	QTY
A		Screws $\text{\O}3*1/2''$	56	F		Metal Clip	12
B		Screws $\text{\O}4*5/8''$	12	G		Shelf Clip	4
C		Screws $\text{\O}4*1''$	2	H		Hinges	2
D		Drawer Glides	1	I		Screws $\text{\O}4*3/4''$	2
E		Corner Brackets	4	J		Screws $\text{\O}4*5/8''$	4



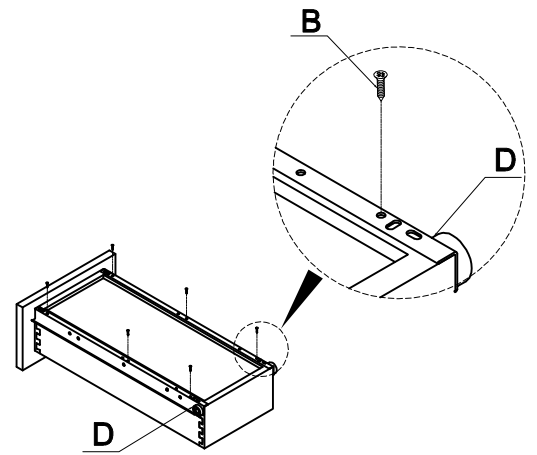


step 7

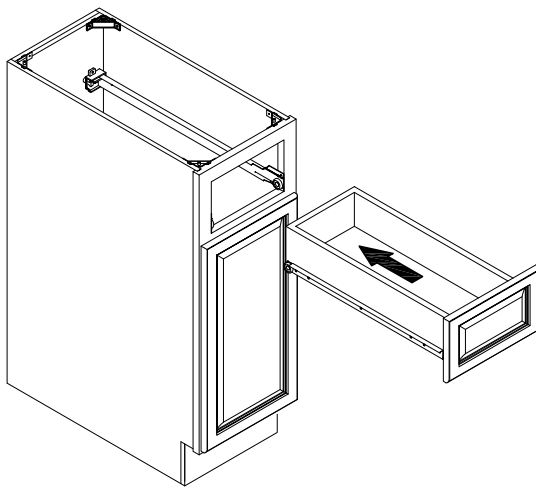


step 8

step 9



step 10



step 11

